

Cougar® Whirlwind High-Frequency Turbine Vibrator



The Cougar® Whirlwind High-Frequency Turbine Vibrator produces more power with less noise than any other high-force/high-frequency pneumatic turbine vibrator. With an output of over 14,000 lb-f (63 kN), depending on the application, the Cougar® Whirlwind High-Frequency Turbine Vibrator doubles the force output of the most powerful competitive models. Units mount easily to cradle lug brackets or railcar wedge brackets, and operate quietly to meet OSHA noise requirements.

BENEFITS

- **Moves More Material**
Larger unbalance creates greater force output to move your material.
- **Saves Your Hearing**
Testing shows noise level from 6 to 10 dB less than competitive models and within OSHA noise limits.
- **One-Worker Portability**
Built-in handle provides easy portability for use in railcar unloading or on pre-cast forms applications.
- **Reduces Maintenance Costs**
Long-life, high-speed sealed bearings need no lubrication.
- **Reduces Your Investment**
Longer life and lower air consumption than competitive models cuts your lifetime cost of ownership.

TYPICAL APPLICATIONS

- **Concrete Consolidation**
Allows fast placement and high-strength consolidation, provides excellent surface finish. High force reduces the number of vibrators required per form; low air consumption cuts operating costs.
- **Railcar Unloading**
High frequency and high force provide efficient unloading of compacted fine powders like dry chemicals or foodstuffs.
- **Permanent or Portable Mounting**
For applications like material compaction, storage vessel evacuation, or material feeding.

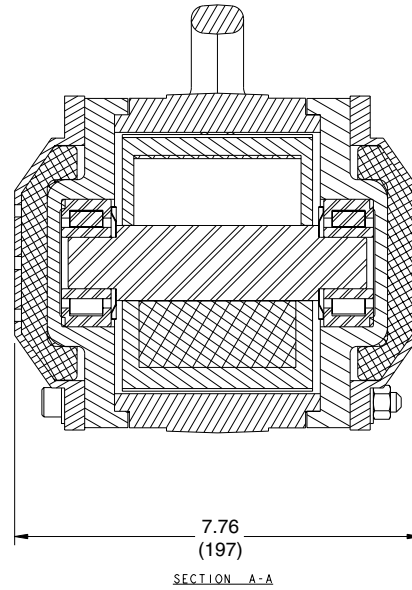
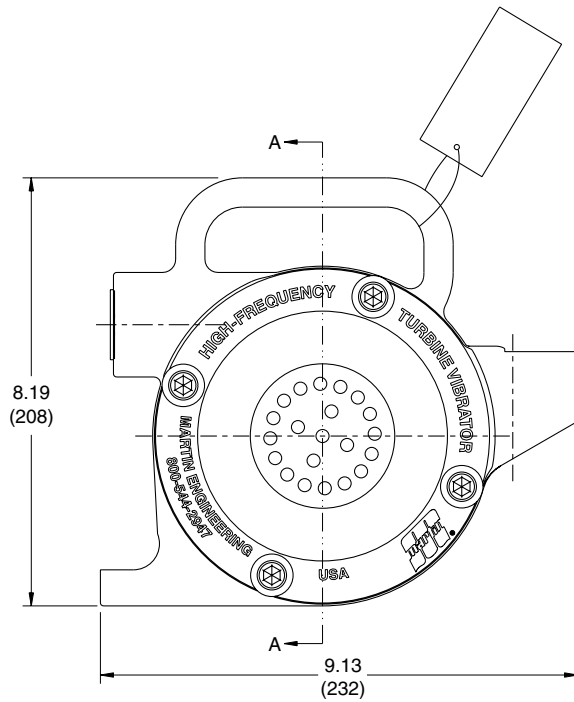
SPECIFICATIONS

*	40 psi (2.76 bar)	60 psi (4.14 bar)	80 psi (5.51 bar)
Frequency VPM	6500	8400	10,100
Force Output lb-f (kg-f) Standard Vibrator	5280 (2394)	8820 (4000)	12,753 (5784)
Force Output lb-f (kg-f) Heavy-Duty Vibrator	5820 (2640)	9720 (4408)	14,050 (6373)
Air Consumption as measured on Dwyer gauge cfm (L/min)	21 (595)	25 (708)	28 (793)

* Results from a 10,000 lb (4535.9 kg) test block.

TECHNICAL DATA SHEET

DIMENSIONS—in. (mm)



ORDER INFORMATION

	P/N	Shipping Weight lb (kg)
Vibrator—Standard	37628	40 (18.1)
Vibrator—Heavy-Duty	37628-HD	41 (18.6)
Vibrator—Standard w/Cradle Lug Bracket	37628-C	50 (22.7)
Vibrator—Heavy-Duty w/Cradle Lug Bracket	37628-CHD	51 (23.1)
Vibrator—Standard w/Wedge Bracket	37628-W	65 (29.5)
Vibrator—Heavy-Duty w/Wedge Bracket	37628-WHD	66 (30)

